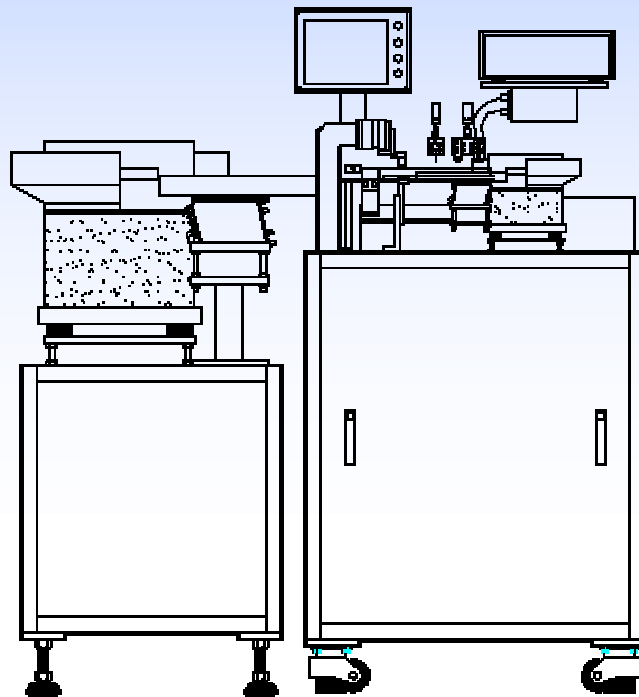


HC-49/SMD Automatic Insulator Insert M/C

GE-INS100



Garam ELECTRONICS CORP.

Head Office : 723 Shingil-7 Dong, Yeongdeungpo-Ku, Seoul, 150-057, Korea

Tel : 82-2-782-8771, Fax : 82-2-785-2577 / 2578

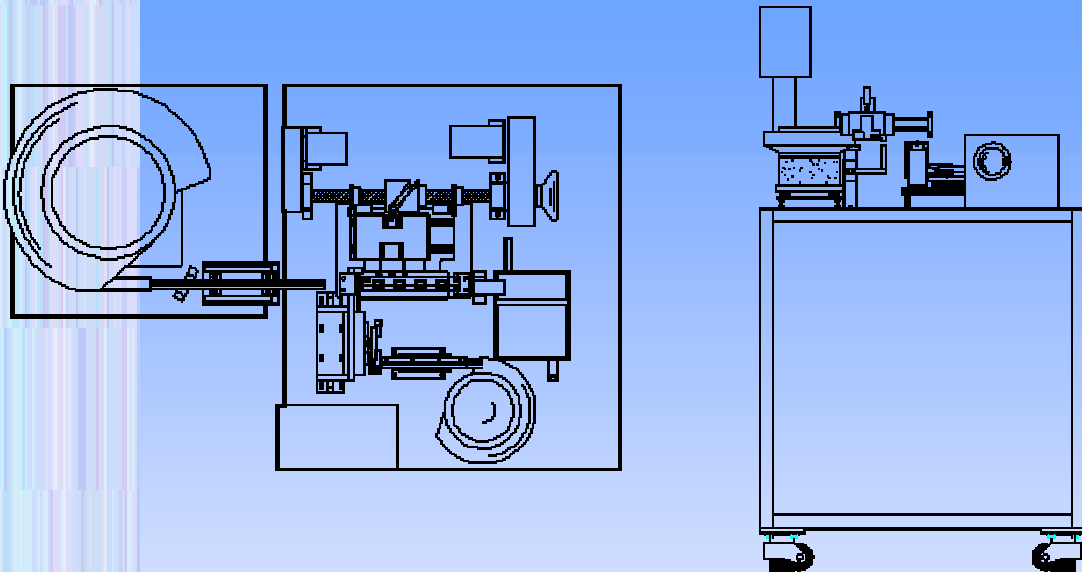
Web : www.gamec.com, E-Mail : garam@gamec.com

China Office : #11, Hengshan Road, ETDZ, Yantai Shandong, 264006, China

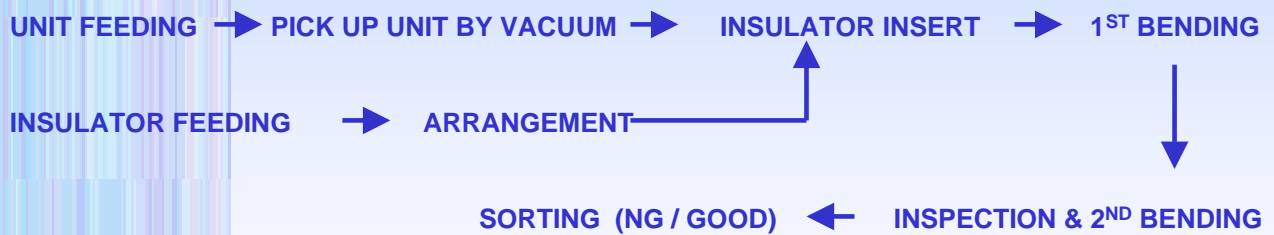
Tel : 86-535-639-5190~3, Fax : 86-535-639-5177

Web : www.gamec.com.cn, E-Mail : garam@garam.cn





FLOW CHART



SPECIFICATION

GENERAL	SUPPLY	UNIT	BOWL FEEDER, LINEAR FEEDER
		INSULATOR	BOWL FEEDER, LINEAR FEEDER
	OPERATING	CAM TYPE	
	AVAILABLE PACKAGE	HC-49/S, TA, TB	
	MEASUREMENT	WORK OSC. / CROSSING COUNTER	
	TACT TIME	Approx. 30 pcs / min.	
	CONTROL	PLC, TOUCH PANEL	
	DIMENSION	1110 (W) x 700 (L) x 1270 (H)	
	WEIGHT	300 Kg	
	POWER	AC 200 V, 50/60 Hz, 1 PHASE	